

A

B

C

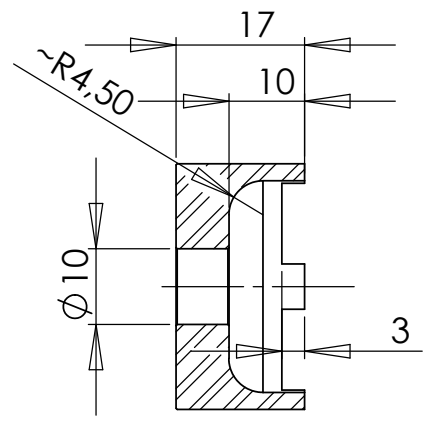
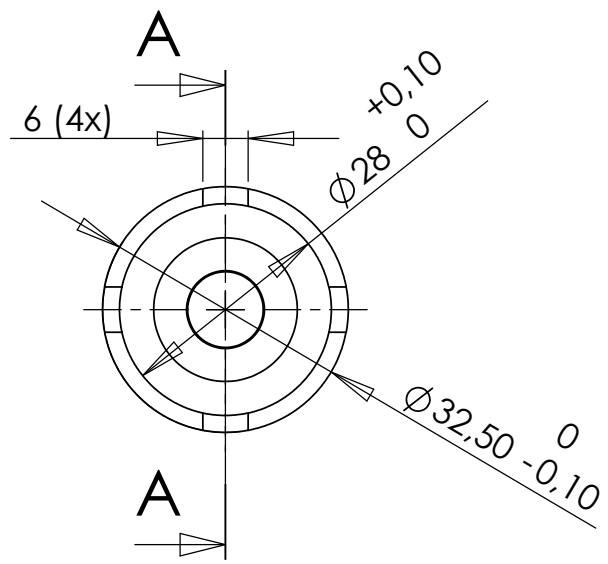
D

A

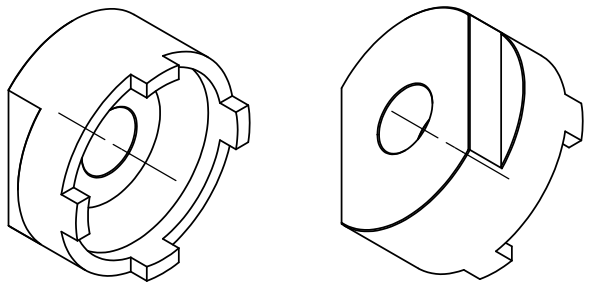
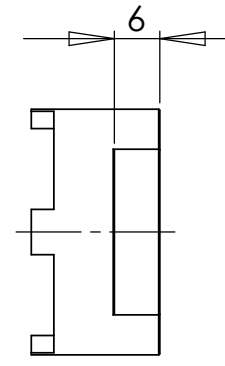
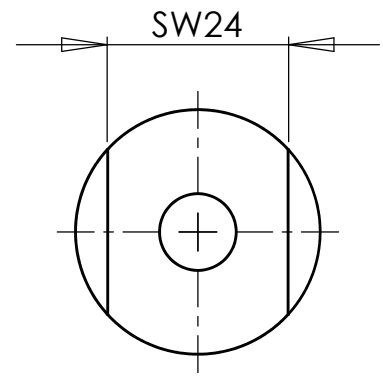
B

C

D



SCHNITTDARSTELLUNG A-A



UNLESS OTHERWISE SPECIFIED: DIMENSIONS ARE IN MILLIMETERS SURFACE FINISH: TOLERANCES: LINEAR: ANGULAR:		FINISH:		DEBUR AND BREAK SHARP EDGES		DO NOT SCALE DRAWING		REVISION	
	NAME	SIGNATURE	DATE			TITLE:			
DRAWN									
CHK'D									
APPV'D									
MFG									
Q.A					MATERIAL: Stahl (gehärtet)	DWG NO.		Ro Abzieher	
						SCALE:1:1		SHEET 1 OF 1	
								A4	